

ULTRASONIC LEVEL METER

CATALOGUE



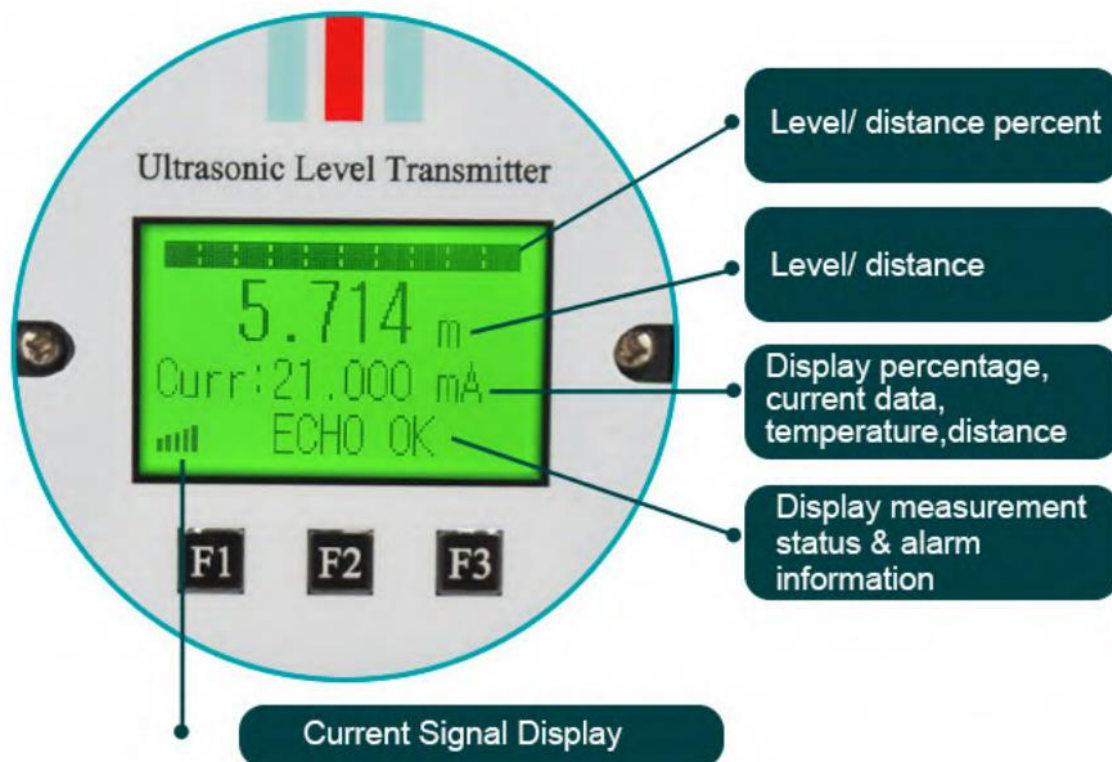
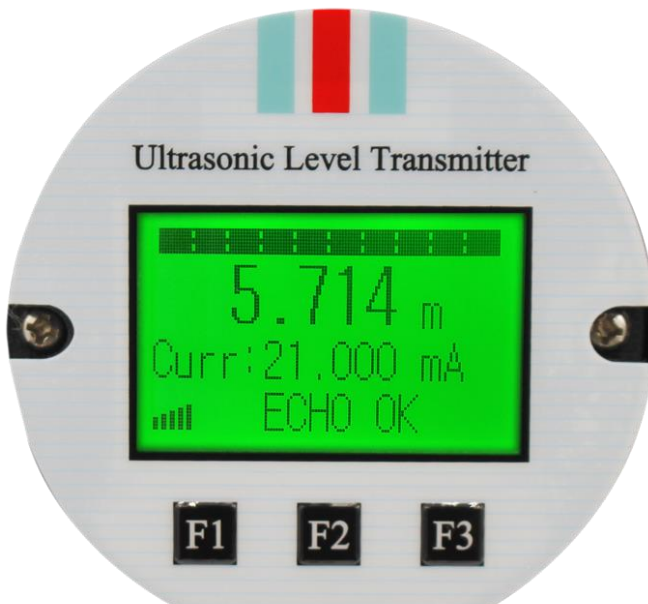
PRODUCT INTRODUCTION

Ultrasonic level meter (for bulk material level or liquid level) is a level measuring device with the features of non-contact, high reliability, cost-effective, easy to be installed and maintained.

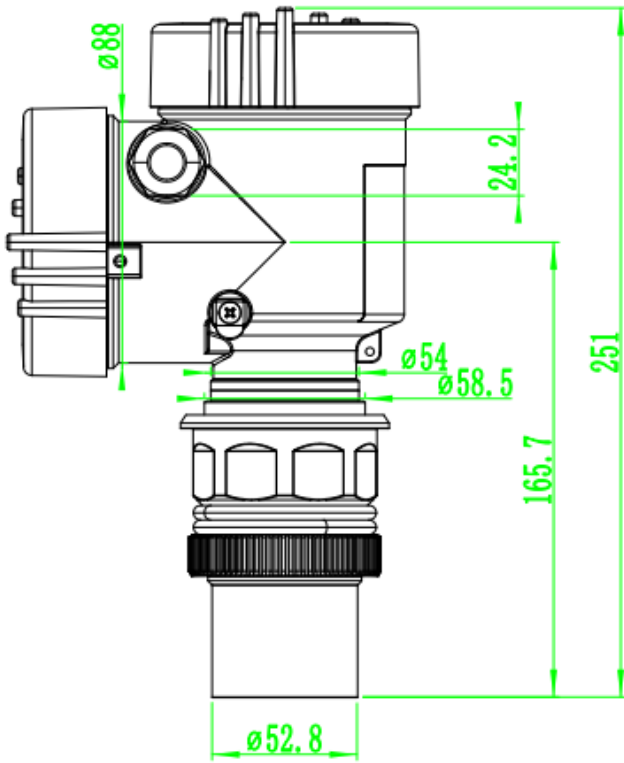
MAIN TECHNICAL SPECIFICATION

Function	Compact Type
Level Range	4, 6, 8, 10, 12, 20, 30m
Accuracy	0.5%
Resolution	3mm or 0.1%
Display	LCD Display
Analog Output	Two Wire 4~20mA/250Ω Load
Relay Output	No
Power Supply	Standard 24VDC
Environmental Temperature	Transmitter -20~+60°C, Sensor -20~+80°C
Communication	No
Protection Class	Transmitter IP65, Sensor IP68
Cable	No
Probe Installation	Based on the level range

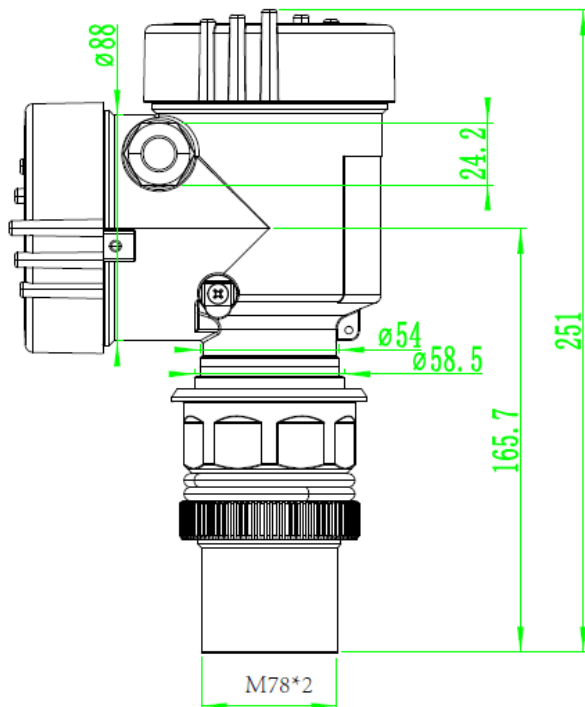
LCD DISPLAY



SIZE



(4m,8m,12m)



(20m,30m)

MODEL SELECTION

INQUL
Measure Range
INQUL-4 0-4m
INQUL-6 0-6m
INQUL-8 0-8m
INQUL-12 0-12m
INQUL-20 0-20m
INQUL-30 0-30m
Ex Class
P Standard Type(Non ex-proof)
I Intrinsically safe (Exia IIB T6 Ga)
Energy Transducer Material/Process Temperature/Protection Grade
A ABS/(-40-75)°C/IP67
B PVC/(-40-75)°C/IP67
C PTFE/(-40-75)°C/IP67
Process Connection/Material
G Thread
D Flange /PP
Electronic Unit
2 4-20mA/24V DC /HART Two Wire
Shell / Protection Grade
L Aluminum / IP67
Cable Entry
M M20*1.5
N 1/2" NPT
Programmer/Display
A With Display



INFLUX BRASIL - Av. Paraná, 3059 - Caju do Sul - Sorocaba -
São Paulo - CEP 18105-002 Tel: (15) 3359-9739 | (15) 99862-5234
E-mail: vendas@influxbrasil.com